

## Hinges

**Zinc die casting / Stainless Steel, with adjustable friction**

### SPECIFICATION

#### Type

- Type **A**: 2x2 bores for countersunk screws

#### Version in Zinc die casting

Zinc die casting **ZD**  
 plastic coated  
 black, RAL 9005, textured finish **SW**  
 silver, RAL 9006, textured finish **SR**

#### Version in Stainless Steel A4

Stainless Steel **A4**  
 AISI 316  
 matte shot-blasted **GS**

Friction cone  
 Plastic (Polyacetal POM)  
 temperature resistant up to 80 °C

#### Setting screw

- Steel, zinc plated, blue passivated for ZD
- Stainless Steel A4 for A4

#### Hexagon nut

- Steel, zinc plated, blue passivated for ZD
- Stainless Steel AISI 316 LHC for A4

### INFORMATION

The setting screw in the hinges GN 437 allows the mobility of the hinge to be changed. This also generates a constant braking torque adjustable across the whole of the rotating range. The rotation of doors and flaps is so inhibited, also preventing the inadvertent movement.

The friction torque is accomplished by interlocking two slim friction cones. The large friction surface and the hard-wearing plastic of the friction cones guarantee a long service life with only slight reduction in the friction torque over time. This can be re-adjusted, if necessary, with the setting screw.

Owing to the structure and the prestress of the friction cones, the hinge has virtually no radial play and no play at all in axial direction.

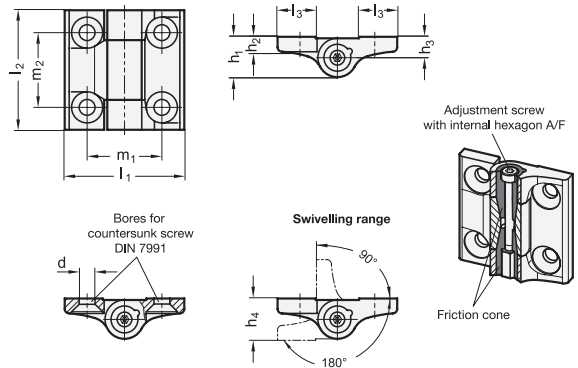


### TECHNICAL INFORMATION

- Load rating information of hinges (see page A40)
- Plastic characteristics (see page A2)
- Stainless Steel characteristics (see page A26)
- List of hinges types (see page 1362)

### ACCESSORY

- Stainless Steel-Spacer plates GN 2370 (see page 1392)



### GN 437-ZD

Description	l1	l2	d	h1	h2	h3	h4	l3	m1	m2	A/F	Max. recommended tightening torque of the set screw in Nm	Friction torque in Nm ≈	⚖️
GN 437-ZD-40-40-A-SR	40	40	5.3	13.5	5	7	14	13	25	25	2.5	0.5	2	53
GN 437-ZD-40-40-A-SW	40	40	5.3	13.5	5	7	14	13	25	25	2.5	0.5	2	53
GN 437-ZD-50-50-A-SR	50	50	6.5	15.5	6	8	16	16.5	30	30	3	0.75	4	91
GN 437-ZD-50-50-A-SW	50	50	6.5	15.5	6	8	16	16.5	30	30	3	0.75	4	91
GN 437-ZD-60-60-A-SR	60	60	8.3	18.5	7.5	9.5	19	20	36	36	4	1.5	6.5	161
GN 437-ZD-60-60-A-SW	60	60	8.3	18.5	7.5	9.5	19	20	36	36	4	1.5	6.5	161

### GN 437-A4

### STAINLESS STEEL

Description	l1	l2	d	h1	h2	h3	h4	l3	m1	m2	A/F	Max. recommended tightening torque of the set screw in Nm	Friction torque in Nm ≈	⚖️
GN 437-A4-40-40-A-GS	40	40	5.3	13.5	5	7	14	13	25	25	2.5	0.5	3	70
GN 437-A4-50-50-A-GS	50	50	6.5	15.5	6	8	16	16.5	30	30	3	0.75	4	113
GN 437-A4-60-60-A-GS	60	60	8.3	18.5	7.5	9.5	19	20	36	36	4	1.5	6	188